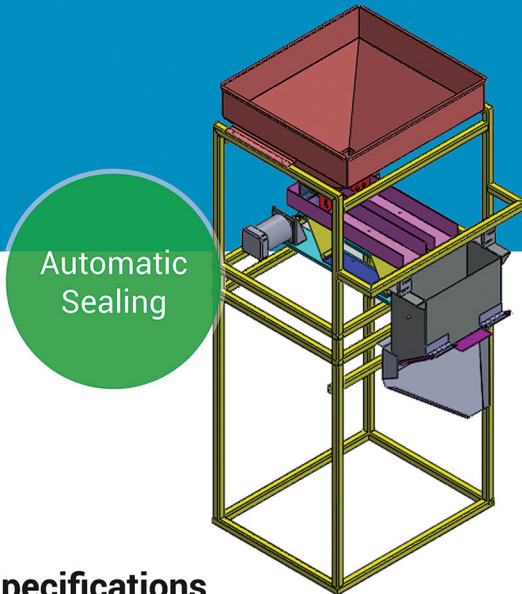


PLANET G

Filling Machine - Dalia

Salient Features

- To pack free flowing materials such as seeds, tea, pulses, spices, etc.
- Weighmetric dosing with quick setup
- Maintenance free motorised dosing mechanism
- Dual dosing system for fine and coarse dosing for accurate weight dispensing



Technical Specifications

- Loading Capacity: 100 Kgs
- Power: 150 W for Packing Machine, 750 W for Compressor
- Filling Range: 2 to 100 gms; 100 to 250 gms; 250 to 2500 gms